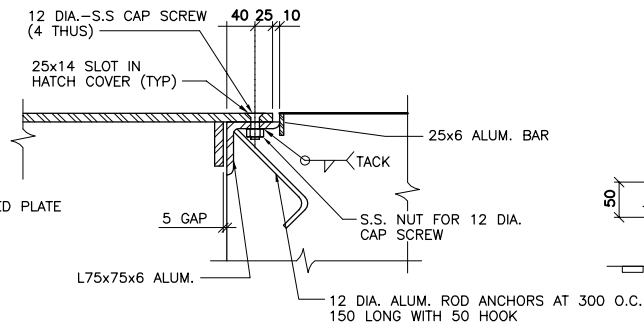
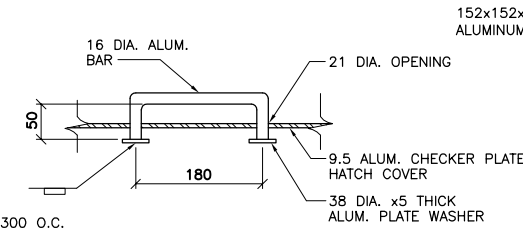


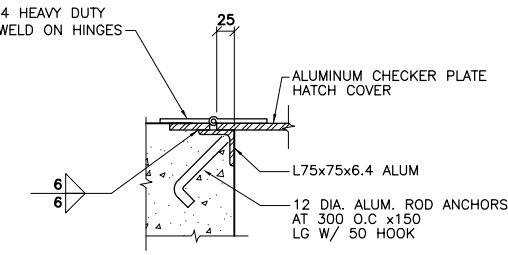
1 ACCESS HATCH COVER
LD-2978 LD-2979 1 : 20



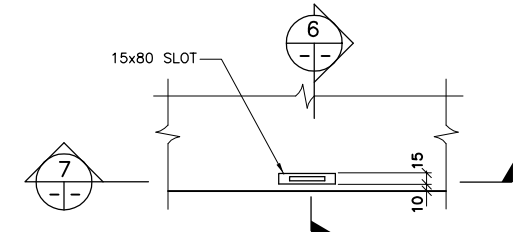
2 HATCH BOLT-DOWN
LD-2978 LD-2979 1 : 5
- SCREWS GREASED AND CAST IN PLACE PRIOR TO POURING CONC.



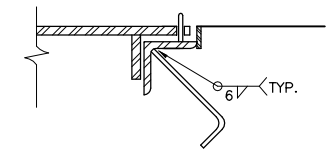
3 HATCH HANDLE
LD-2978 LD-2979 1 : 5



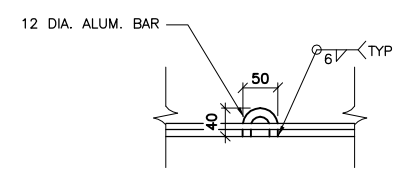
4 HATCH HINGE
LD-2979 LD-2979 1 : 5



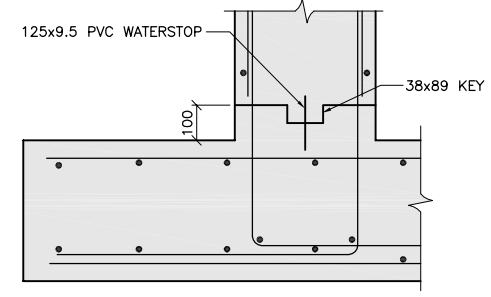
5 HATCH LOCK
LD-2978 LD-2979 1 : 5



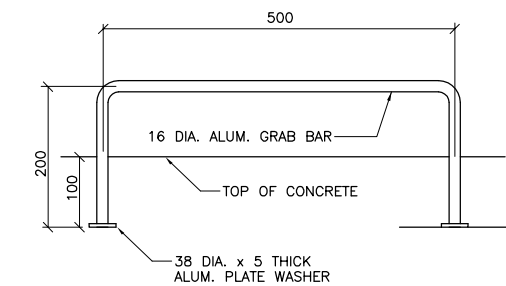
6 HATCH LOCK SECTION
LD-2979 LD-2979 1 : 5



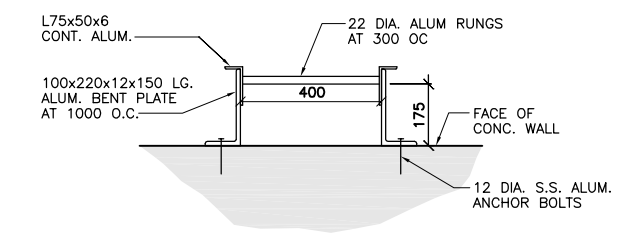
7 HATCH LOCK SECTION
LD-2979 LD-2979 1 : 5



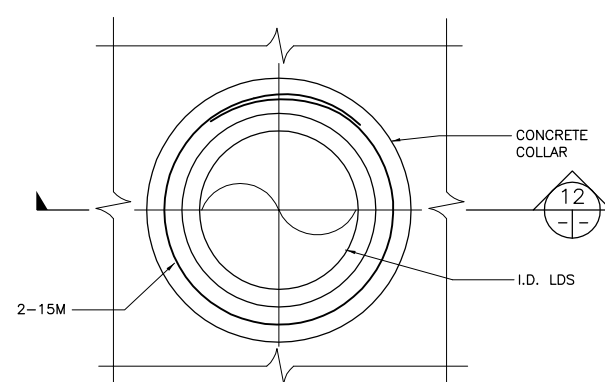
8 CONSTRUCTION JOINT
LD-2978 LD-2979 1 : 5



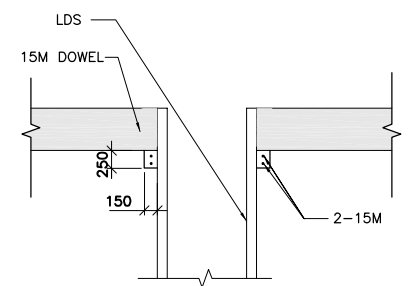
9 GRAB BAR
LD-2978 LD-2979 1 : 5



10 LADDER
LD-2978 LD-2979 1 : 5



11 PIPE COLLAR SECTION
LD-2978 LD-2979 1 : 5



11 PIPE COLLAR SECTION
LD-2979 LD-2979 1 : 40

RECORD DRAWING	
DATE	Y/M/D 10.09.01
DRAFTED BY	G.E.L.
FIELD INFO BY	B.B.
CHECKED BY	G.M.D./S.E.H.

APEGM
Certificate of Authorization
Wardrop Engineering Inc.
No. 195 Expiry: April 30, 2011

WARDROP Engineering Inc. DESIGNED BY: DNB CHECKED BY: DRAWN BY: GMD APPROVED BY: HOR. SCALE: AS NOTED VERTICAL: DATE: 03.11.12			ORIGINAL DRAWING REVISION "01" SEALED BY D.N. BURMEY P. ENG 2004.01.26	
			CONSULTANT DRAWING NO. 0312940900-DWG-C0006-02	
2 REVISED TO RECORD DRAWING 10.09.01 GWC 1 ISSUED FOR CONSTRUCTION 04.01.26 DNB 0 ISSUED FOR TENDER 03.12.09 SH - ISSUED FOR APPROVAL 03.12.09 SH			THE CITY OF WINNIPEG PLANNING, PROPERTY & DEVELOPMENT DEPARTMENT FAIRFIELD PARK LOCAL IMPROVEMENT DISTRICT STORMWATER RETENTION BASIN EXCAVATION, OUTFALLS & ASSOCIATED WORKS STORMWATER RETENTION BASIN OUTLET CONTROL STRUCTURE DETAILS (LAKE 6-29)	
NO. REVISIONS DATE BY			CITY DRAWING NUMBER LD-2979 SHEET 6 OF 7 C0006	